

MOTOR MASTER Powersports

Inboard Spline Diameter

The diameter of the housing spline that slides into the differential.

Inboard Seal Diameter

The diameter of the seal that goes into the differential.

Outboard Seal Diameter

The diameter of the seal that goes into the hub bearing.

Outboard Spline Diameter

The diameter of the housing spline that slides into the wheel hub.

Number of Inboard CV Housing Splines

Total number of teeth that slide into the differential.

22 TEETH

Thread Size

The diameter and pitch of the thread and matching nut.

18x1.5mm

Number of Outboard CV Housing Splines

Total number of teeth that slide into the wheel hub.

26 TEETH

Stub Height

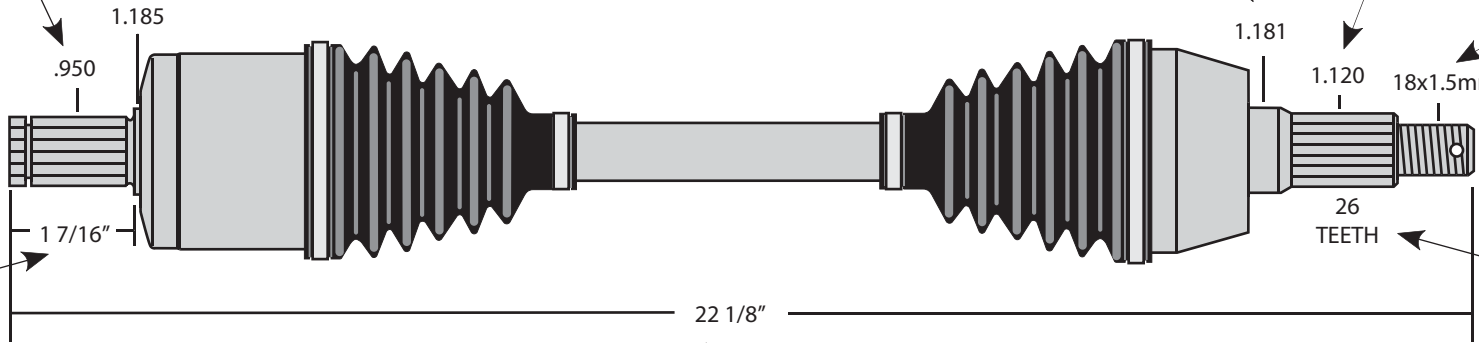
The overall length of the stub from the top of the housing.

1 7/16"

Overall COMPRESSED Length

is measured from end to end when the driveaxle is fully compressed.

22 1/8"



MOTOR MASTER Powersports